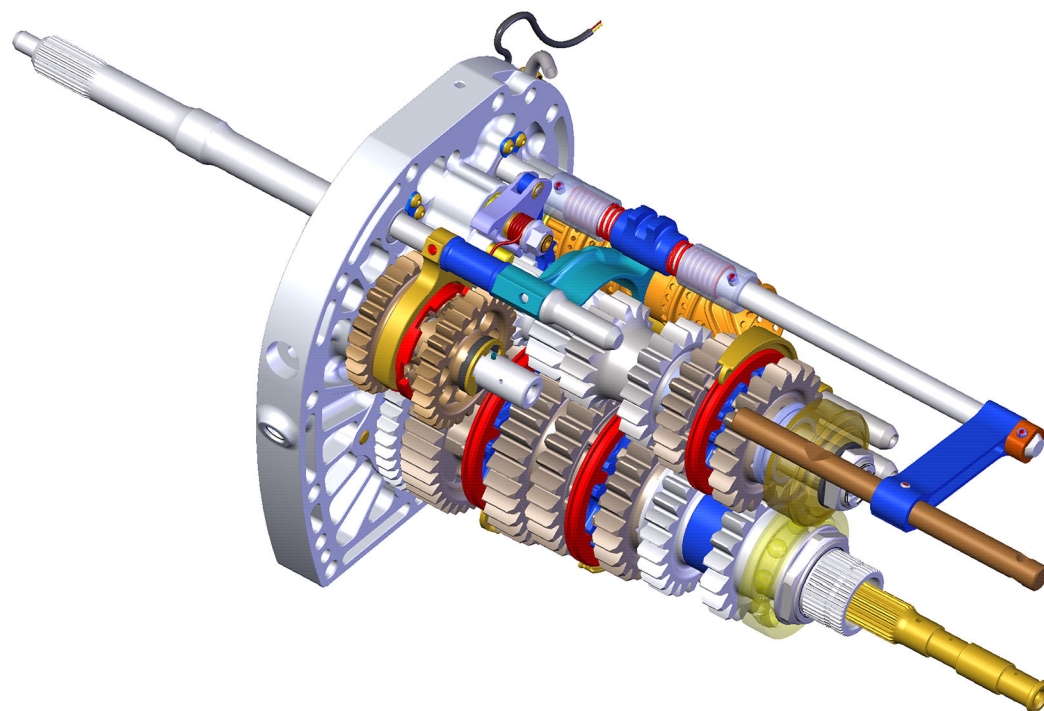




ASSEMBLY MANUAL  
SUBARU R4 SEQUENTIAL KIT



PREROVSKA 561  
75201 KOJETIN  
CZECH REPUBLIC

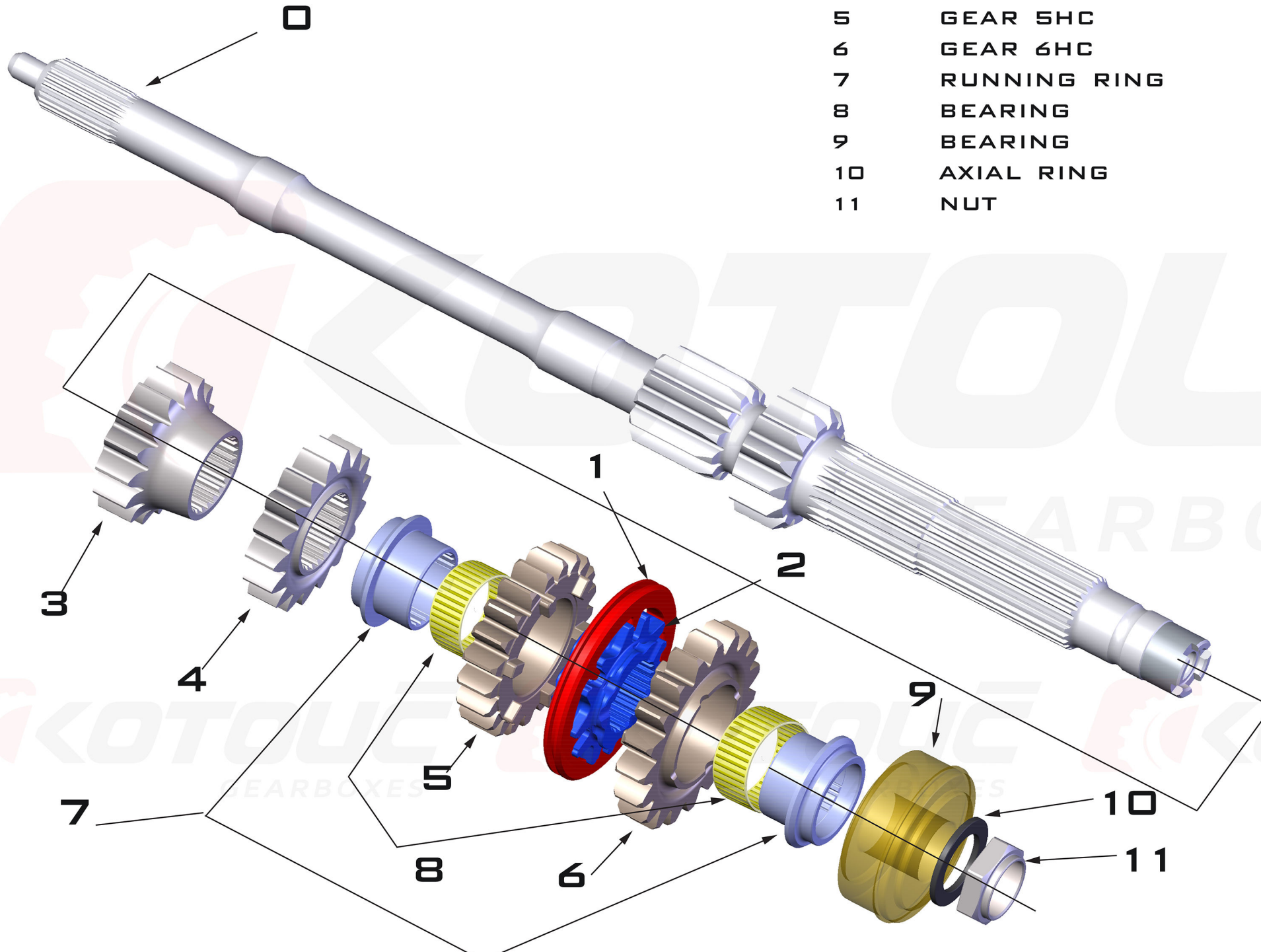
INFO@KOTOUCGEARBOXES.COM  
+420 725 790 769

KOTOUCGEARBOXES.COM

# SUBARU R4 SEQUENTIAL KIT



0	INPUT SHAFT	MN-01-001-P4
1	DOGRING 5/6	MN-01-018
2	HUB 5/6	MN-01-016
3	GEAR 3HC	MN-01-003-340-1828-P4
4	GEAR 4HC	MN-01-004-310-2328-P4
5	GEAR 5HC	MN-01-005-380-2121-P4
6	GEAR 6HC	MN-01-006-340-2521-P2
7	RUNNING RING	MN-01-021
8	BEARING	K40x47x18
9	BEARING	806329010
10	AXIAL RING	803528030
11	NUT	802628030

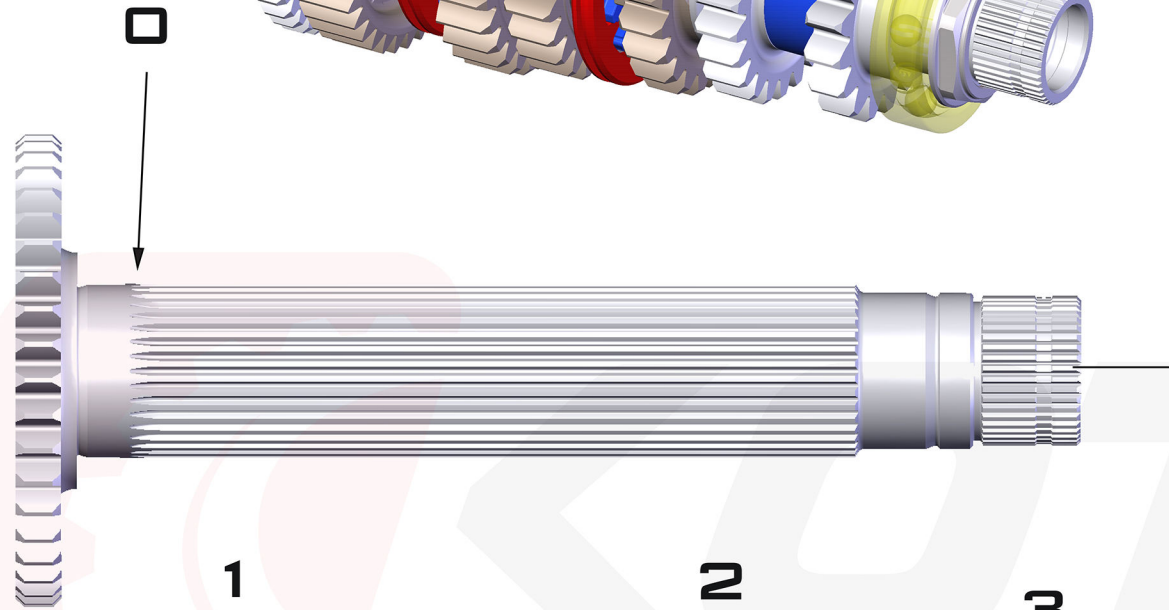
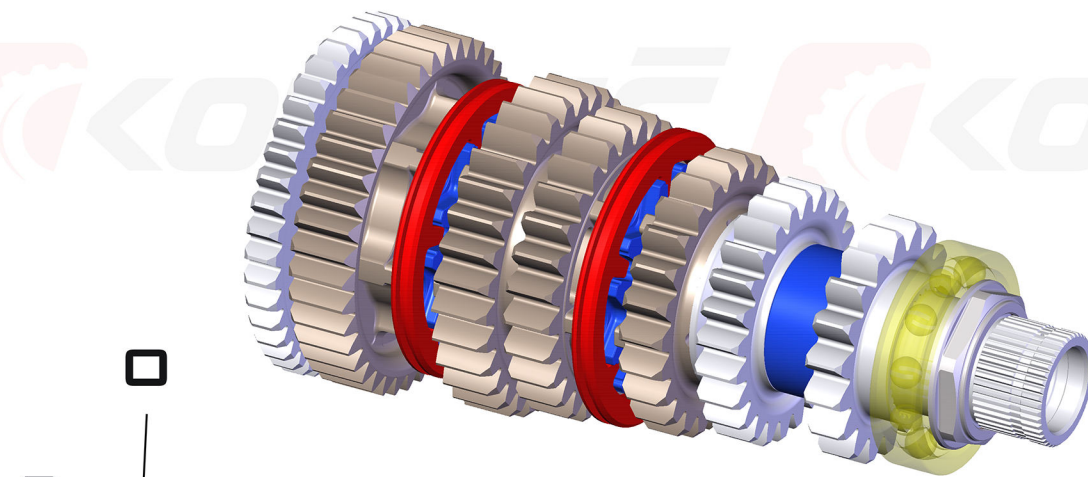


RATIO P4

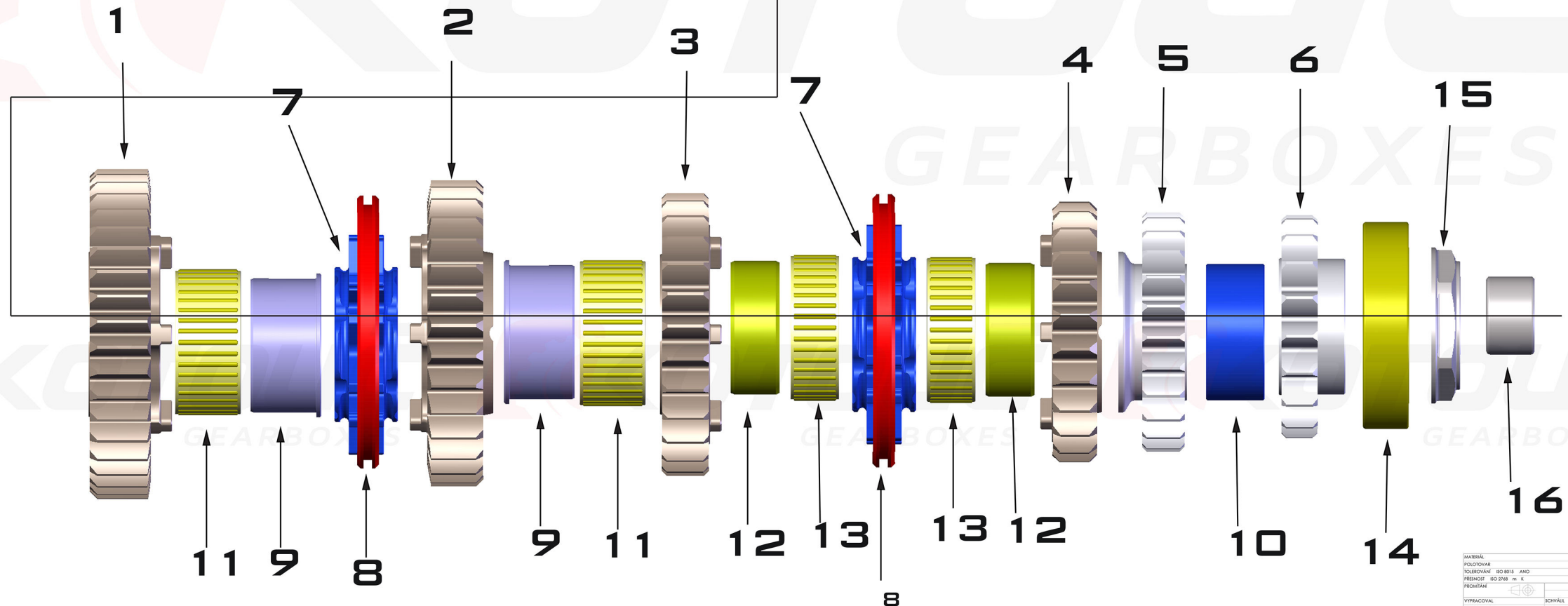
MATERIÁL	POLEHOVÁNÍ	ISO 8015	ANO	INDEX	NAZEV	DATA	VERZÍ	1:1
TOLEROVÁNÍ	ISO 2768	m	K	PROJEKČNÍ	HMOTNOST	SEST.	KUSOVKA	
VYPRACOVÁNÍ	SOVĚTAL	14.7.2015		NÁZEV	ČÍSLO VÝKRESU			
OVĚŘOVÁNÍ								



# SUBARU R4 SEQUENTIAL KIT



0	OUTPUT SHAFT	MN-01-002
1	GEAR 1HN	MN-01-007-310-3813-P4
2	GEAR 2HN	MN-01-008-325-3316-P4
3	GEAR 3HN	MN-01-009-340-2818-P4
4	GEAR 4HN	MN-01-010-310-2823-P4
5	GEAR 5HN	MN-01-011-380-2121-P4
6	GEAR 6HN	MN-01-012-340-2125-P2
7	HUB 1/2, 3/4	MN-01-015
8	DOGRING 1/2, 3/4	MN-01-017
9	RUNNING RING 1/2	MN-01-020
10	SPACER	MN-01-022
11	BEARING	K55x60x27
12	RUNNING RING 3/4	IR50x55x20
13	BEARING	K50x55x20
14	BEARING	806245020
15	NUT	802645010
16	BEARING	HK2520

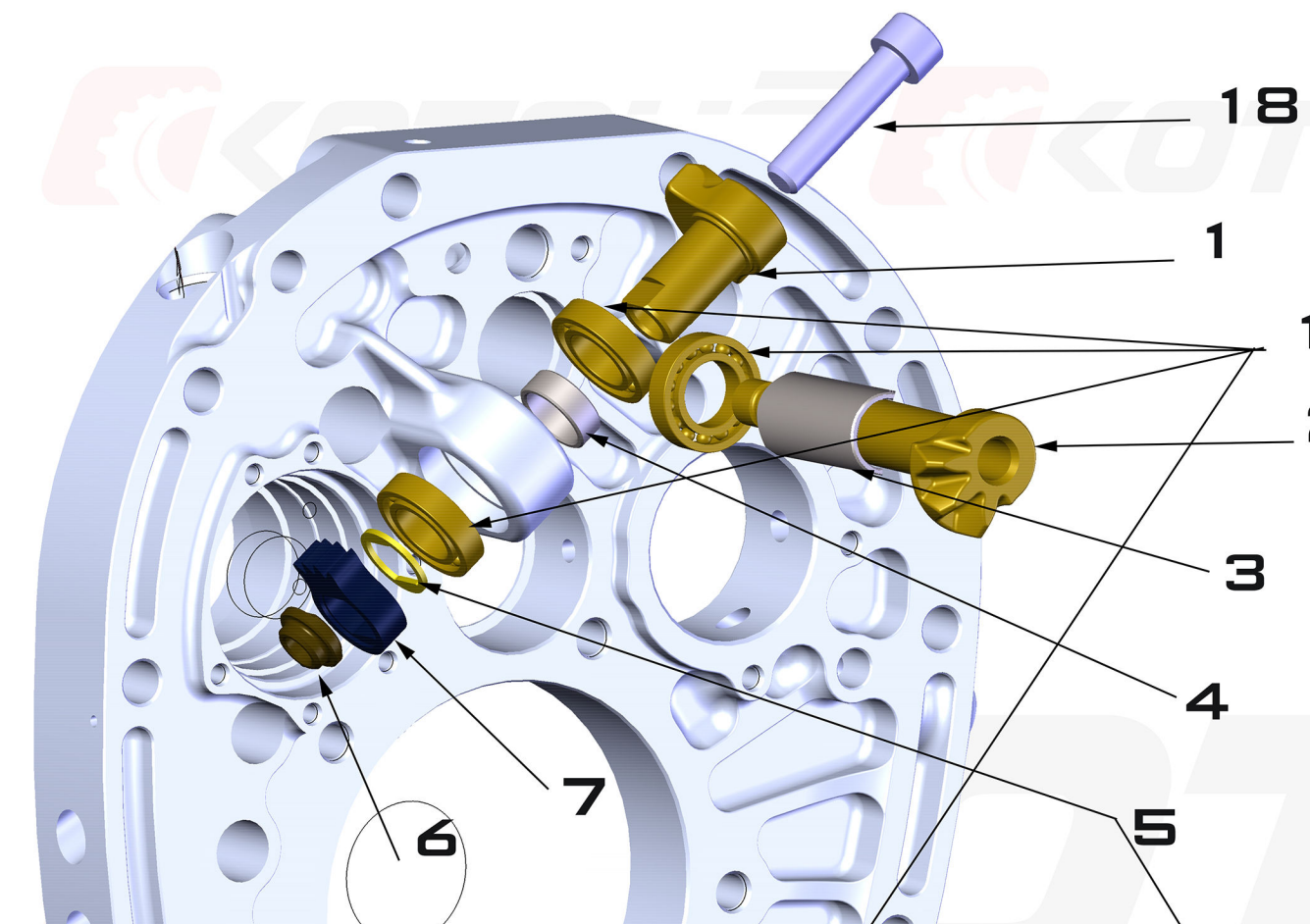


RATIO P4

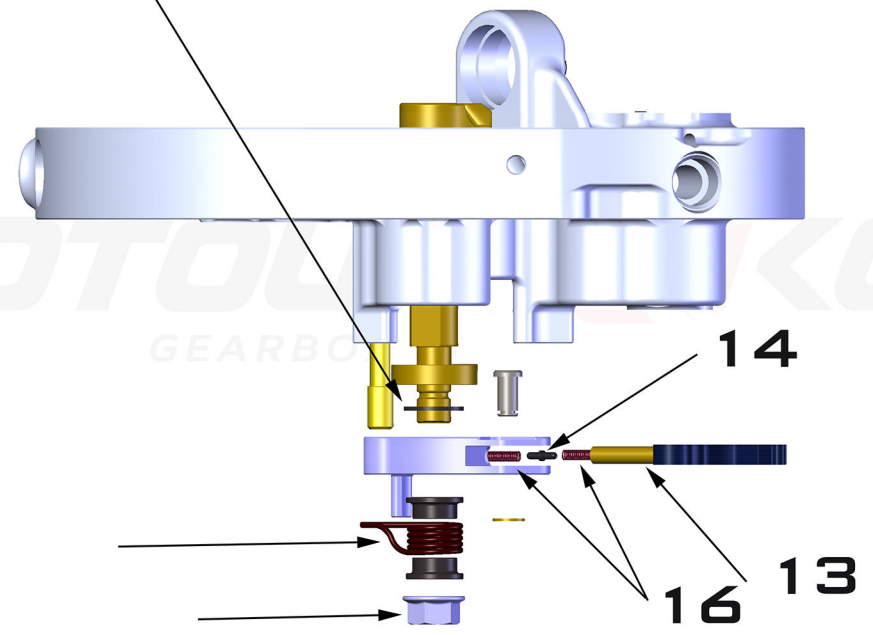
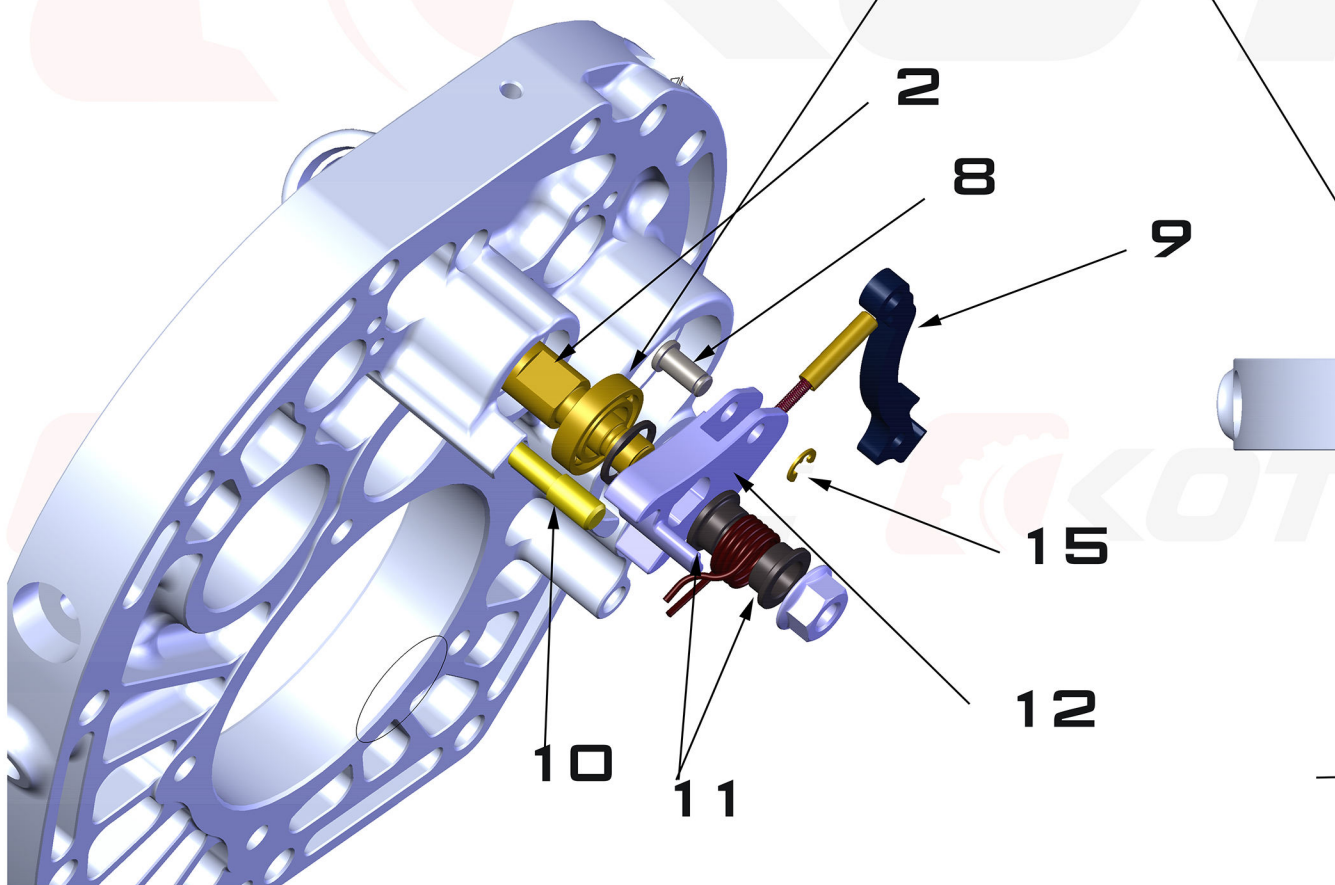
MATERIAL	PROJEKOVANÉ	INDEX	VERZIE	EDICE	POPS
POLEHOVANÉ	ISO 8015	ANOTACE			
PRENOSIT	ISO 2168	m	€		
PROJEKOVANÉ					
VYKONAVANÉ	SCHWAB	HMOCINOST	14.7.2015	1:1	
DOVEDENÉ		SEST.			
		ČÍSLO VÝKRESU			
KOTOLIC		GEARBOXES			



# SUBARU R4 SEQUENTIAL KIT



1	SATELITE A	MN-01-036
2	SATELITE B	MN-01-035
3	DISTANCE RING A	MN-01-054
4	DISTANCE RING B	MN-01-053
5	SPACER	MN-01-052
6	NUT	MN-01-041
7	SHIFT RING	MN-01-037
8	PIN	MN-01-043
9	SHIFT RATCHET	MN-01-040
10	PIN	MN-01-051
11	SPACER	MN-01-042
12	SHIFT AUTOMAT	MN-01-039
13	PLUNGER	MN-01-044
14	CONNECTOR	MN-01-049
15	SNAP RING	CSN 02 2929
16	SPRING	30216
17	BEARING	61903
18	SCREW	M10X1.25X45

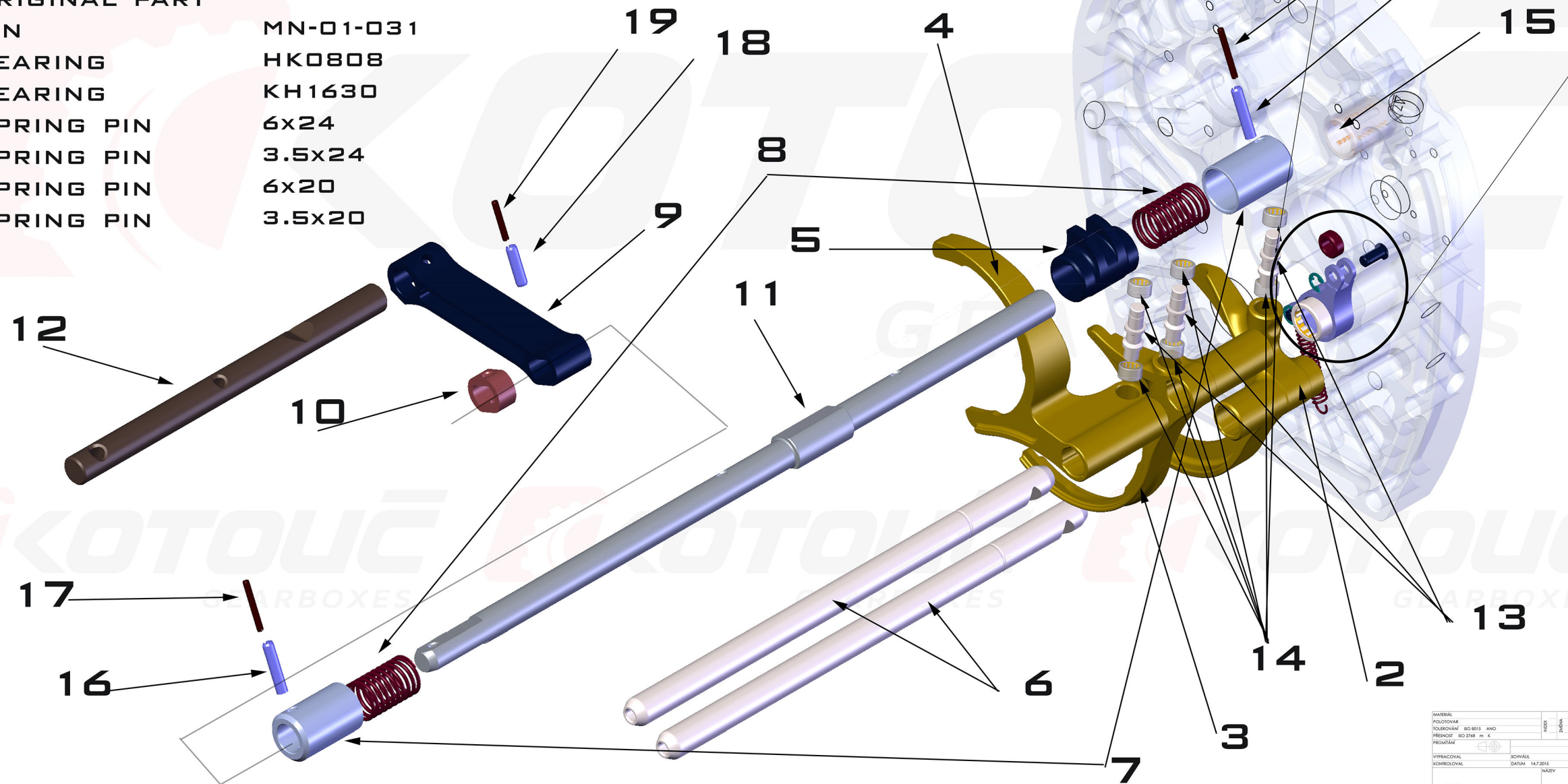
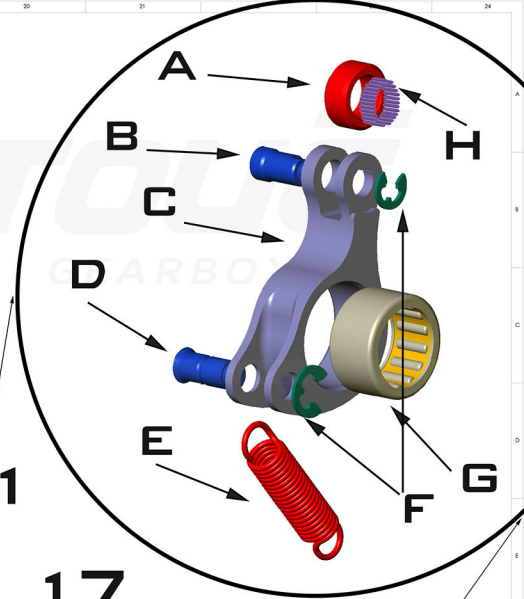




# SUBARU R4 SEQUENTIAL KIT

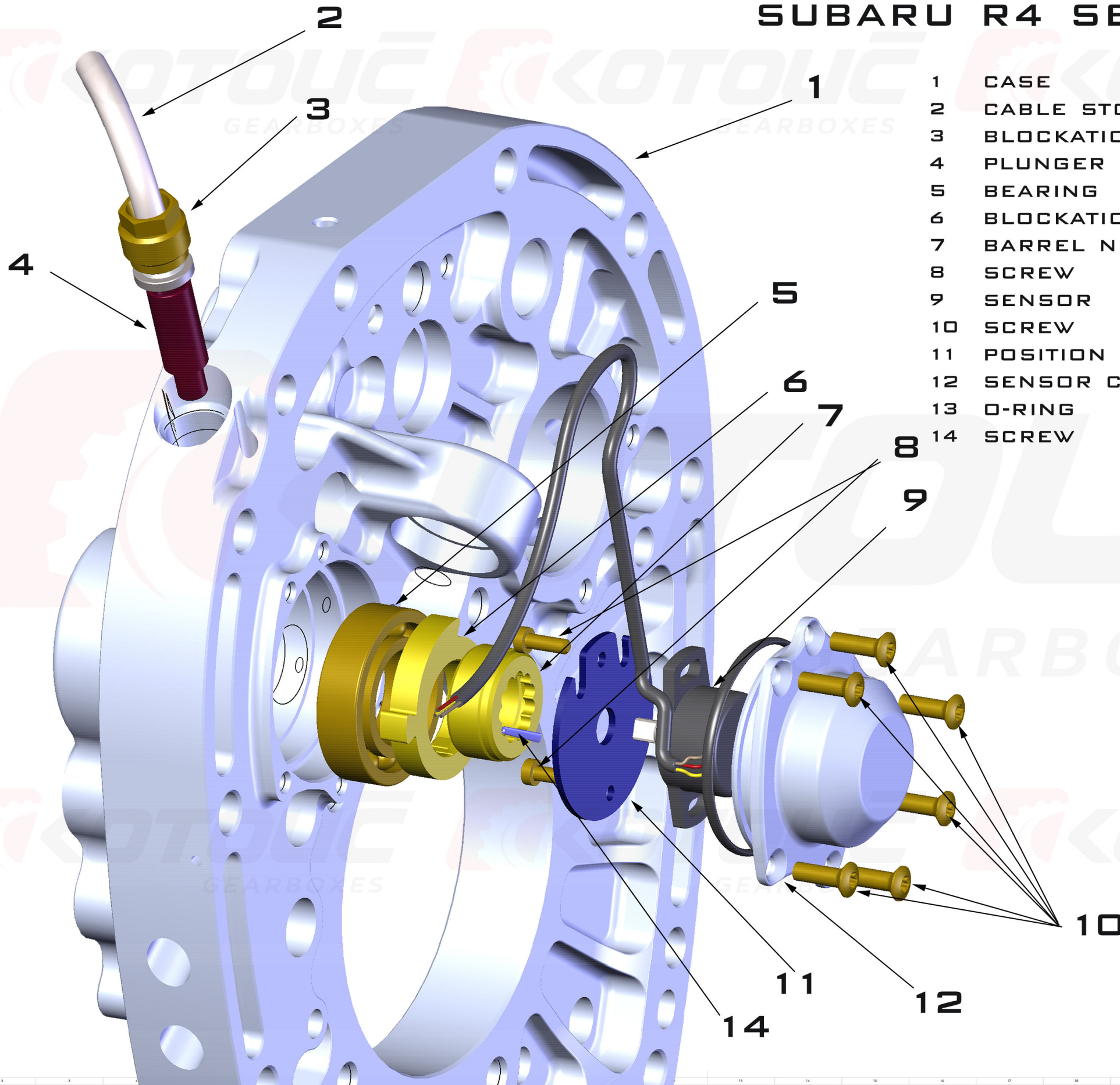
- 1 CASE MN-01-034
- 2 FORK 1/2 MN-01-024
- 3 FORK 3/4 MN-01-025
- 4 FORK 5/6 MN-01-026
- 5 CENTER MN-01-055
- 6 SHAFT MN-01-028
- 7 COVER MN-01-056
- 8 SPRING 30514
- 9 CROSS MN-01-033
- 10 LOCK MN-01-057
- 11 SHAFT MN-01-038
- 12 ORIGINAL PART
- 13 PIN MN-01-031
- 14 BEARING HK0808
- 15 BEARING KH1630
- 16 SPRING PIN 6x24
- 17 SPRING PIN 3.5x24
- 18 SPRING PIN 6x20
- 19 SPRING PIN 3.5x20

- A ROLLER MN-01-046
- B PIN MN-01-047
- C STABILIZER MN-01-045
- D PIN MN-01-048
- E SPRING 31400
- F SNAP RING CSN 02 2929
- G BEARING HK1612
- H PIN ROLLER 1.5x5.8





# SUBARU R4 SEQUENTIAL KIT



1	CASE	MN-01-034
2	CABLE STOP	MN-01-066
3	BLOCKATION SCREW	MN-01-061
4	PLUNGER	MN-01-059
5	BEARING	6005
6	BLOCKATION	MN-01-058-P1
7	BARREL NUT	MN-01-062
8	SCREW	M4x14 DIN7984
9	SENSOR	SP28
10	SCREW	M5x16
11	POSITION PLATE	MN-01-065
12	SENSOR COVER	MN-01-064
13	O-RING	54x2.5
14	SCREW	M4x16 DIN916



